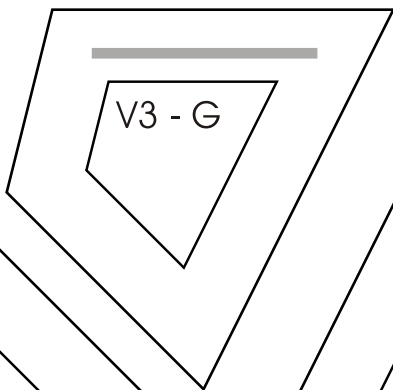
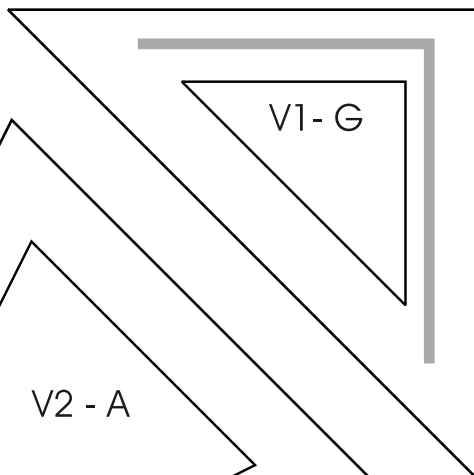


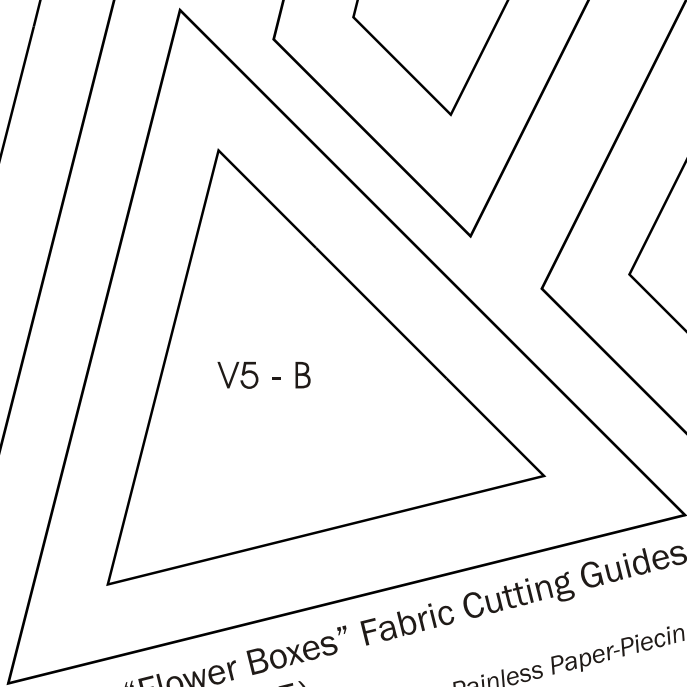
V6 - C



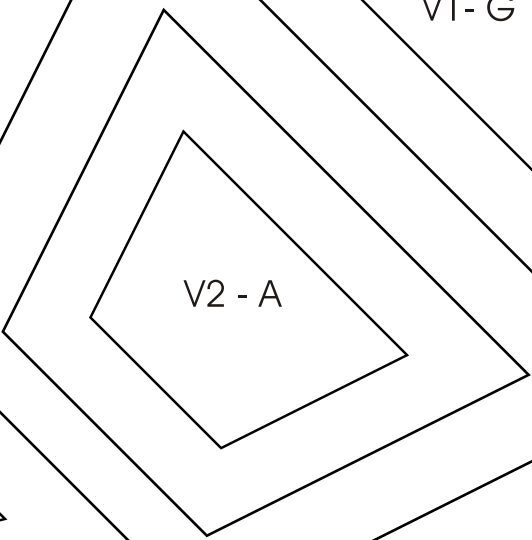
V3 - G



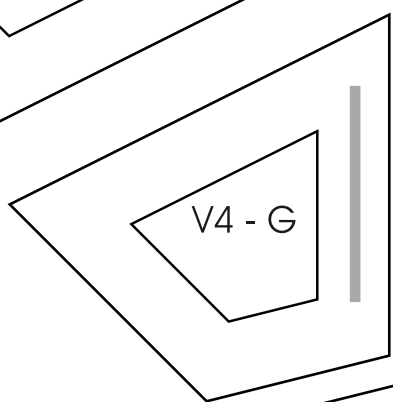
V1 - G



V5 - B



V2 - A

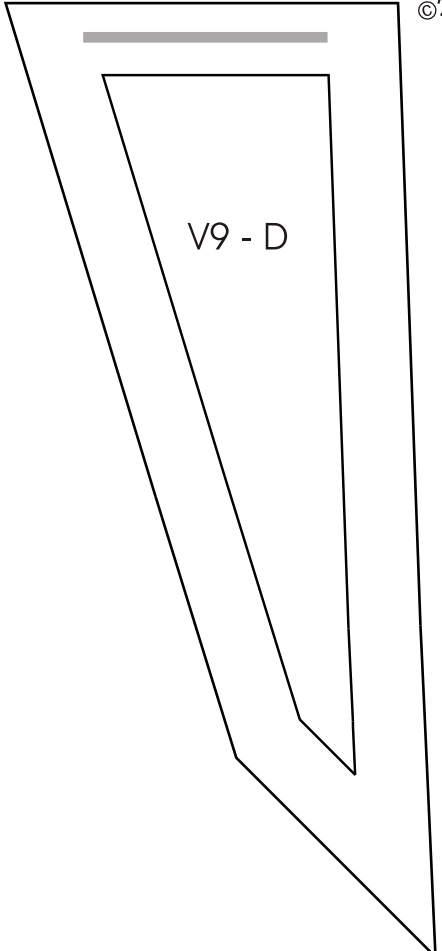


V4 - G

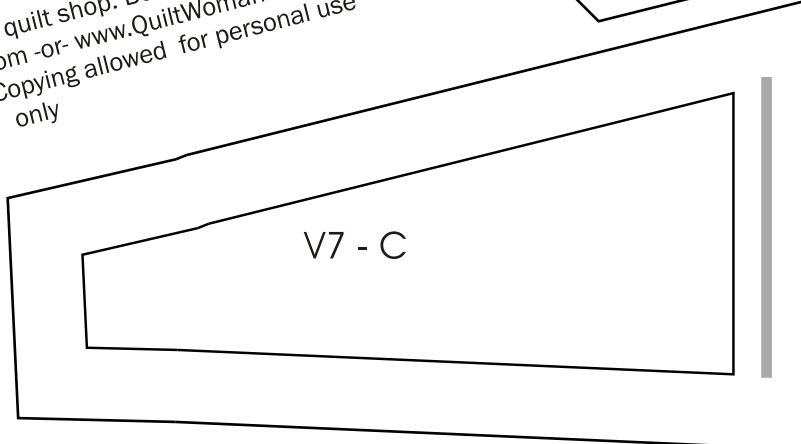
Test your download.  
This box  
measures  
1" x 1"

### "Flower Boxes" Fabric Cutting Guides (Page 1 of 5)

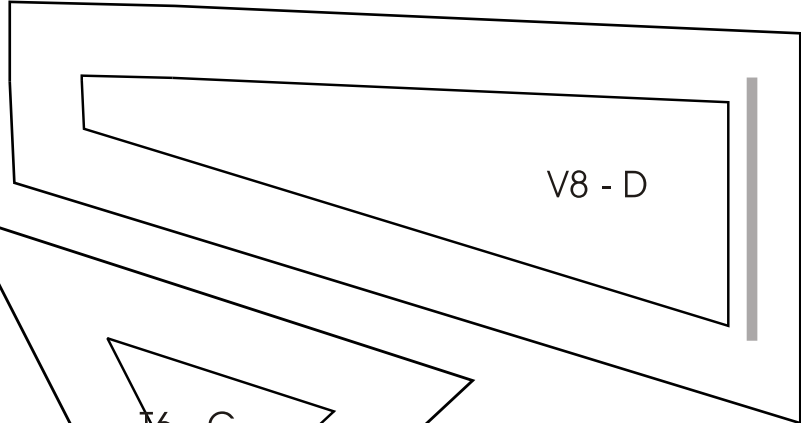
to be used with pattern in book Painless Paper-Piecing by  
Marjorie Rhine  
Ask for it at your favorite quilt shop. Book is also available  
at [www.QuiltDesignNW.com](http://www.QuiltDesignNW.com) -or- [www.QuiltWoman.com](http://www.QuiltWoman.com)  
©2006 Marjorie Rhine; Copying allowed for personal use  
only



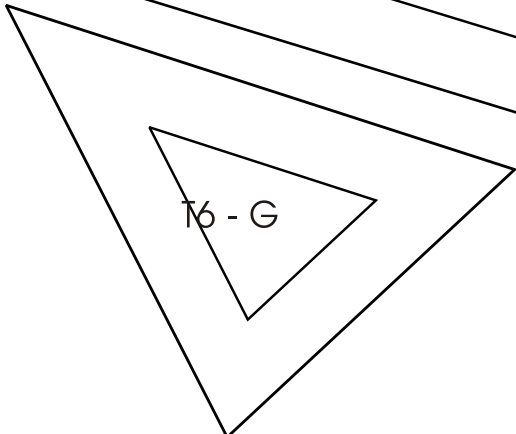
V9 - D



V7 - C

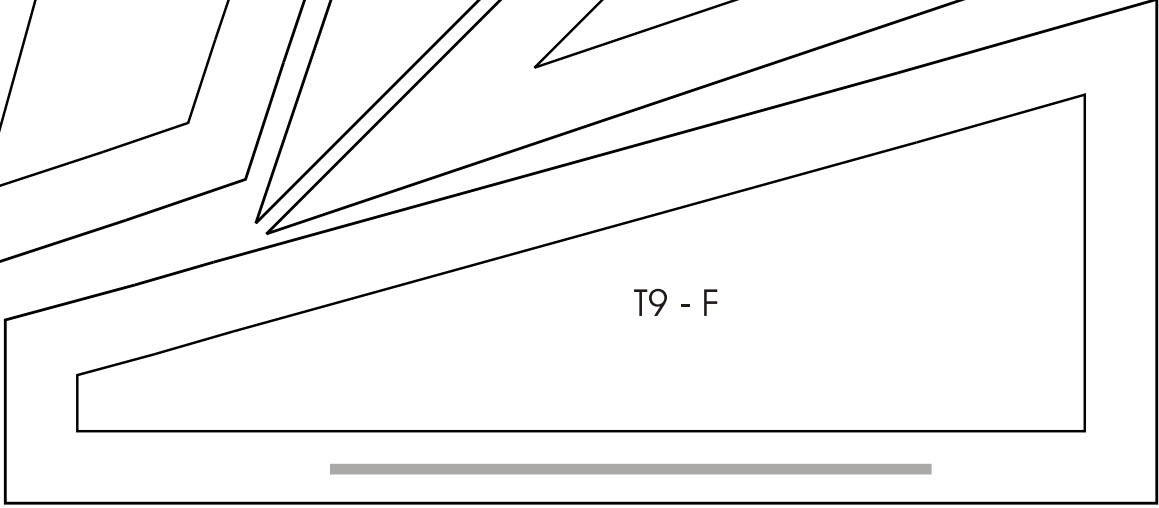
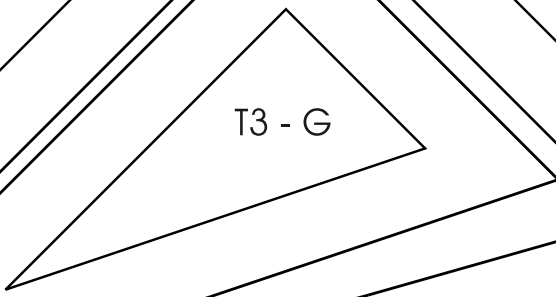
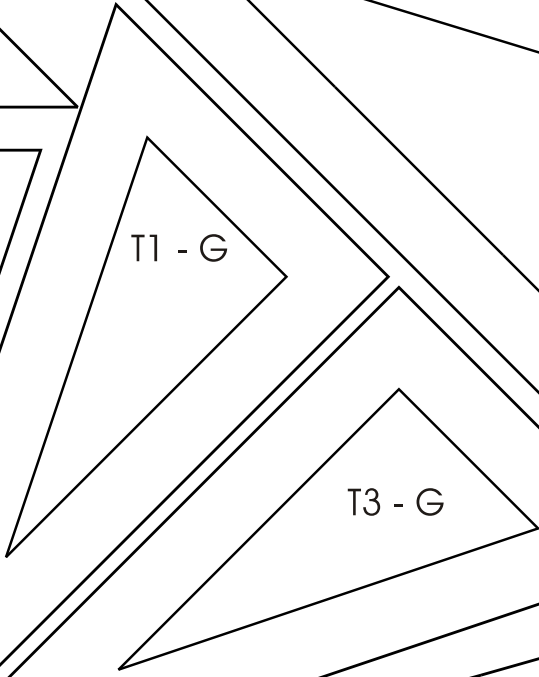
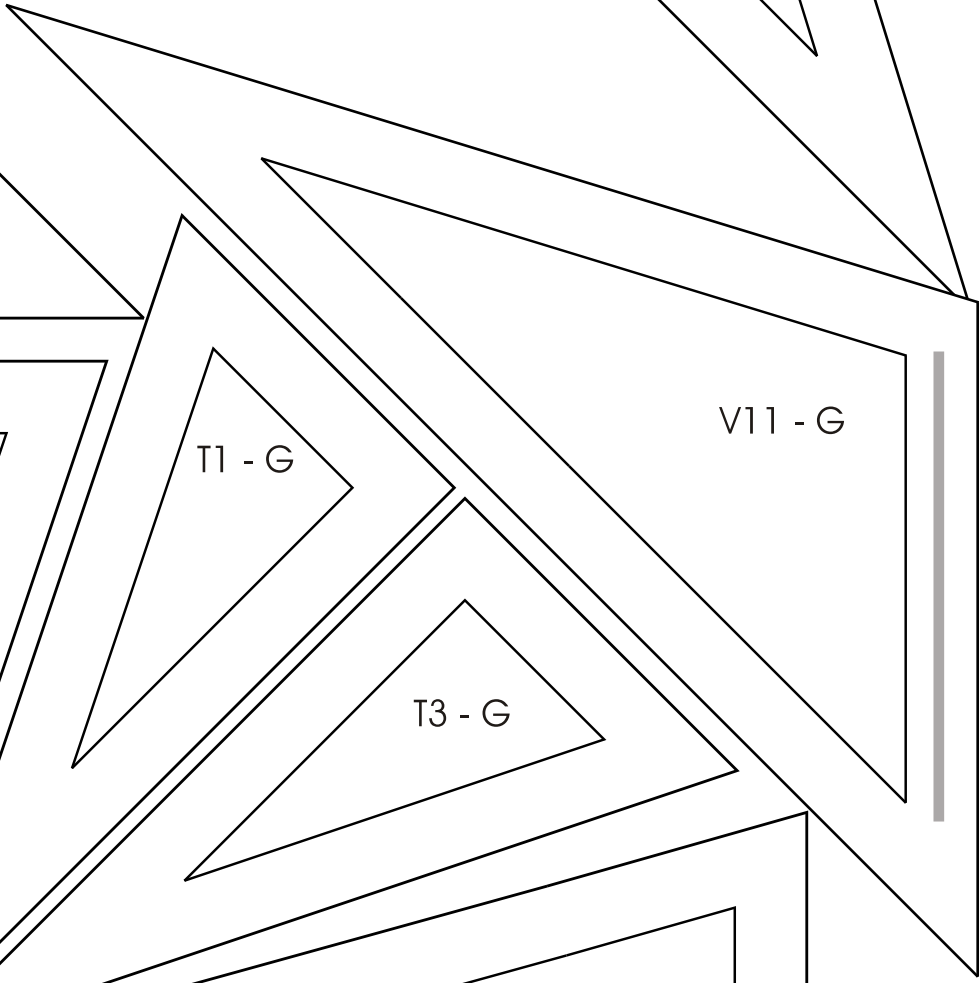
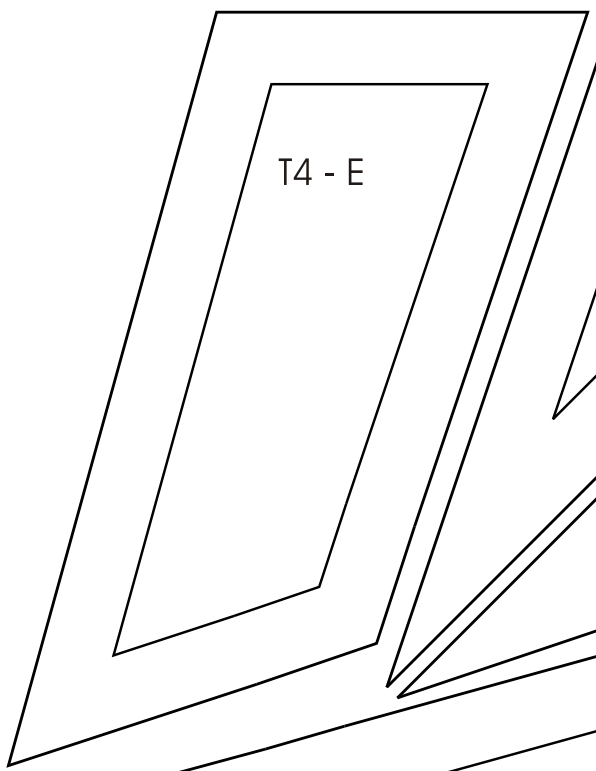
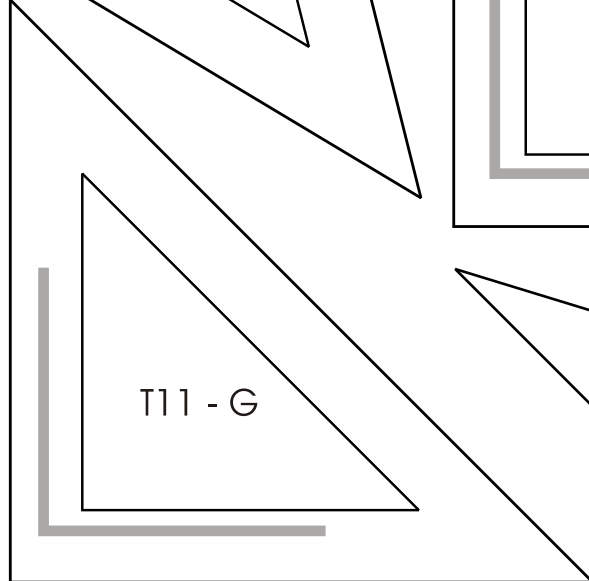
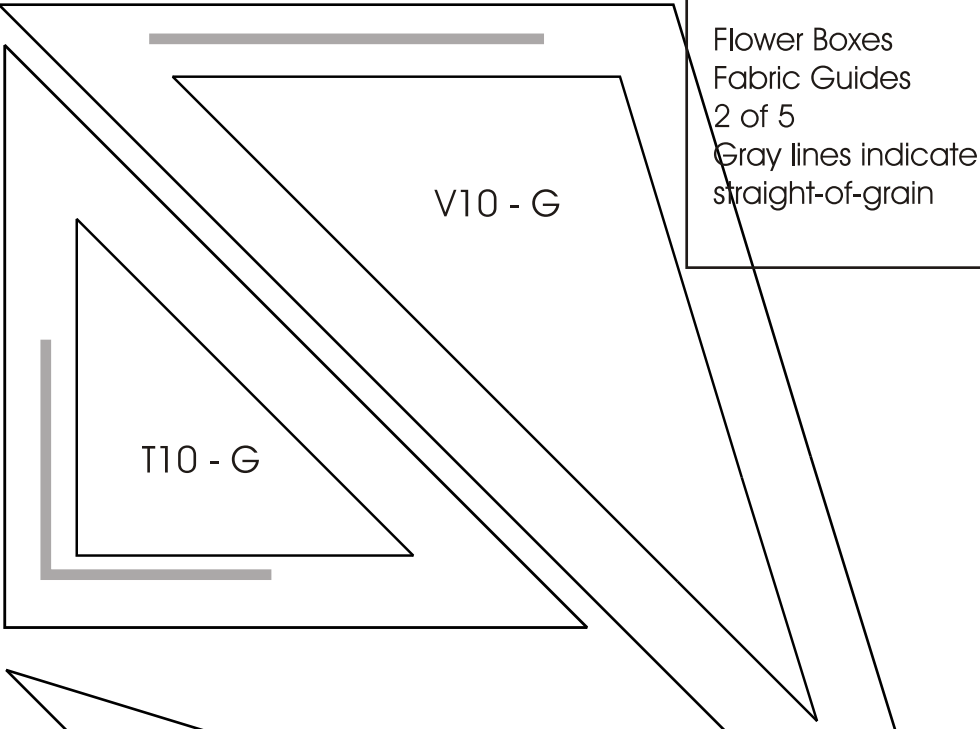
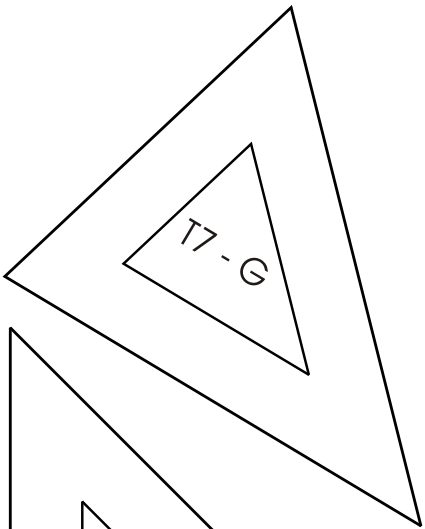


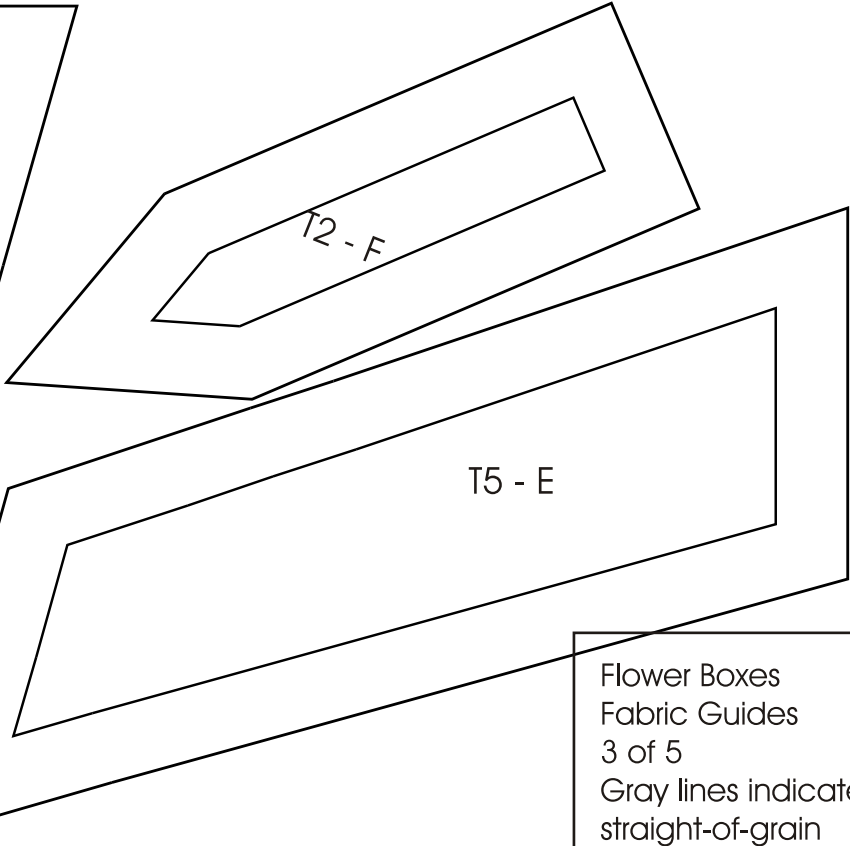
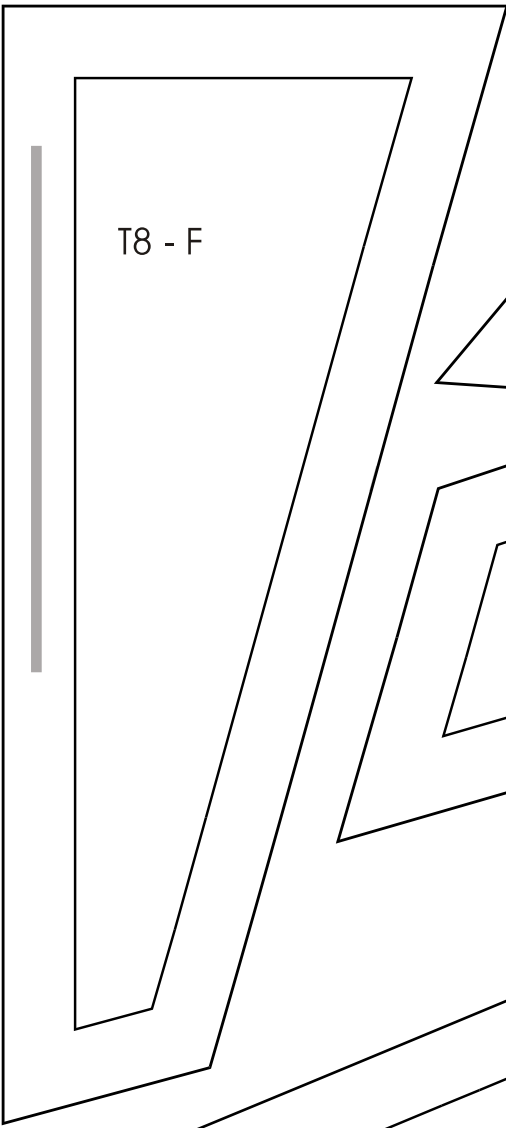
V8 - D



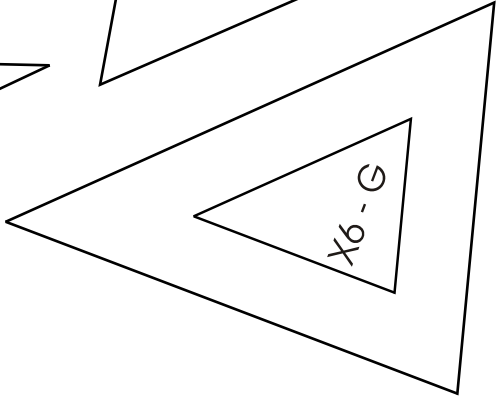
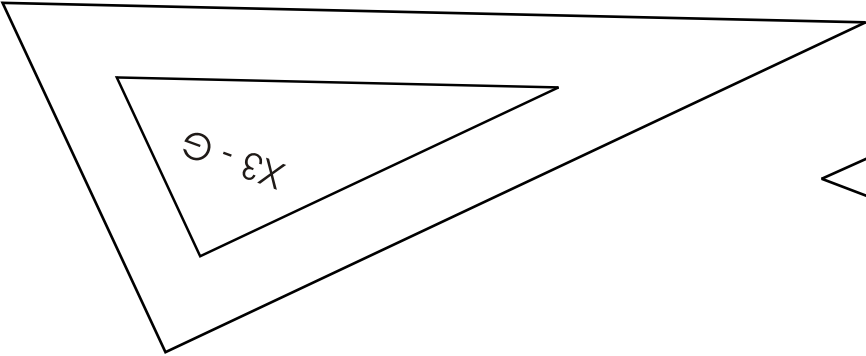
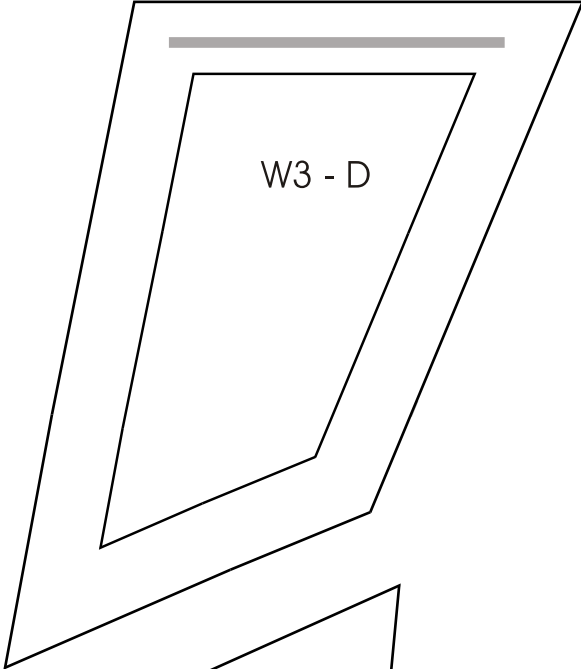
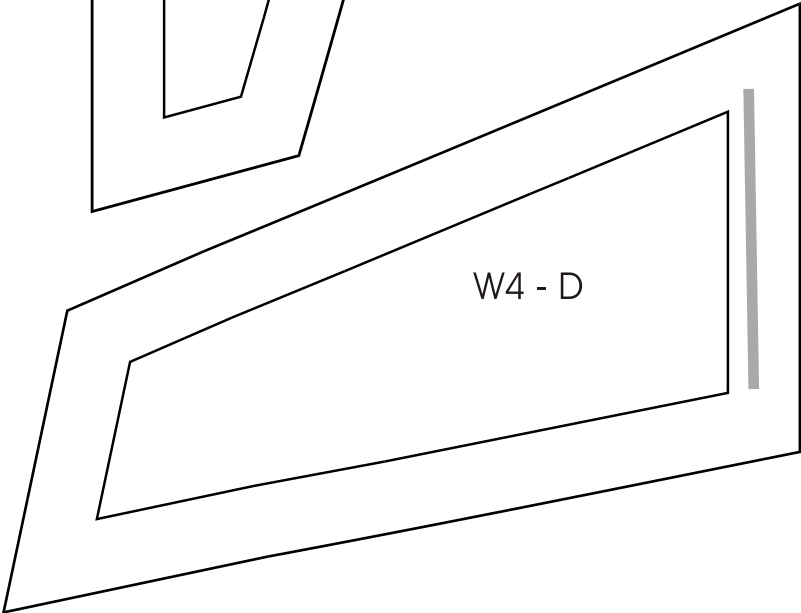
T6 - G

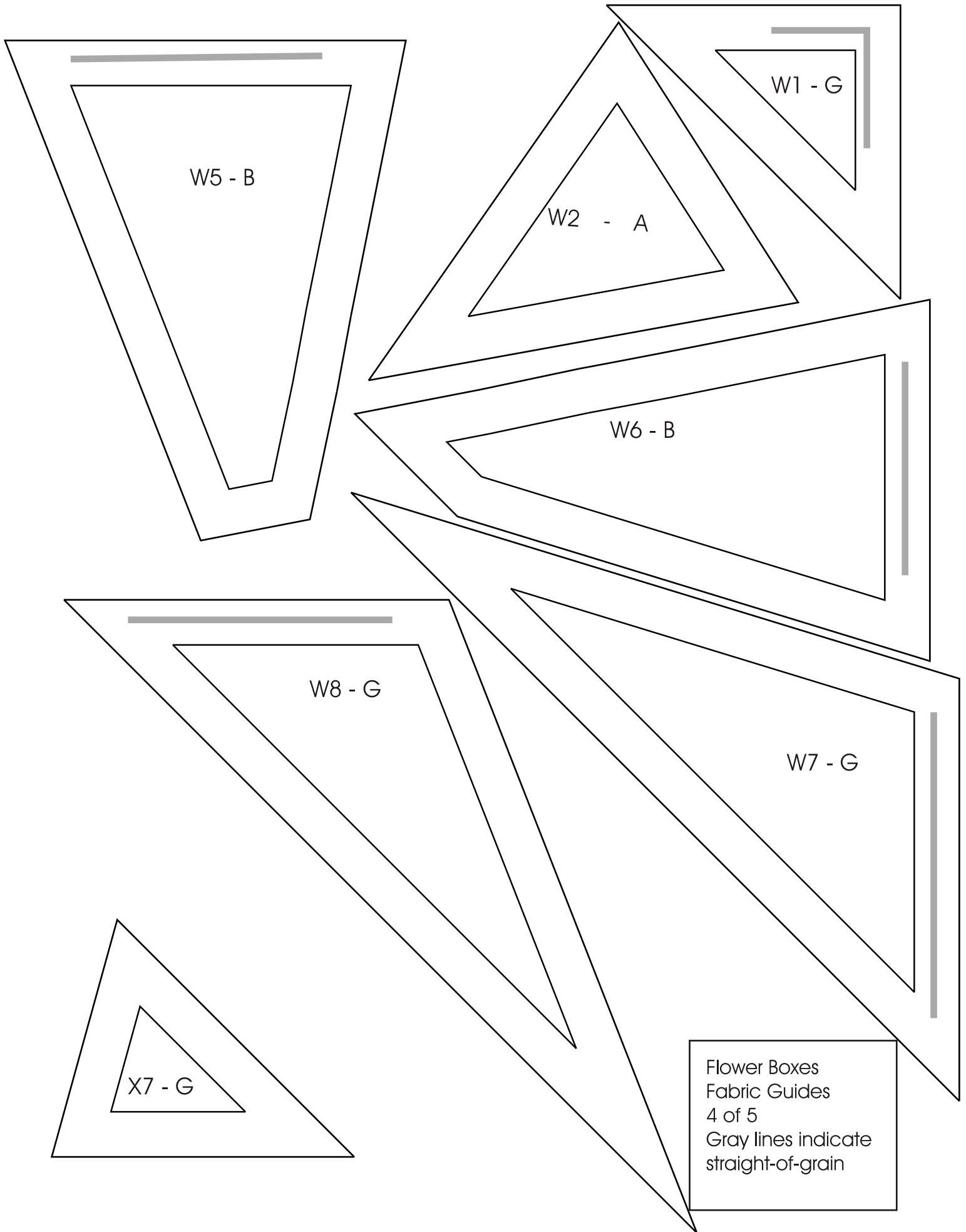
Flower Boxes  
Fabric Guides  
2 of 5  
Gray lines indicate  
straight-of-grain

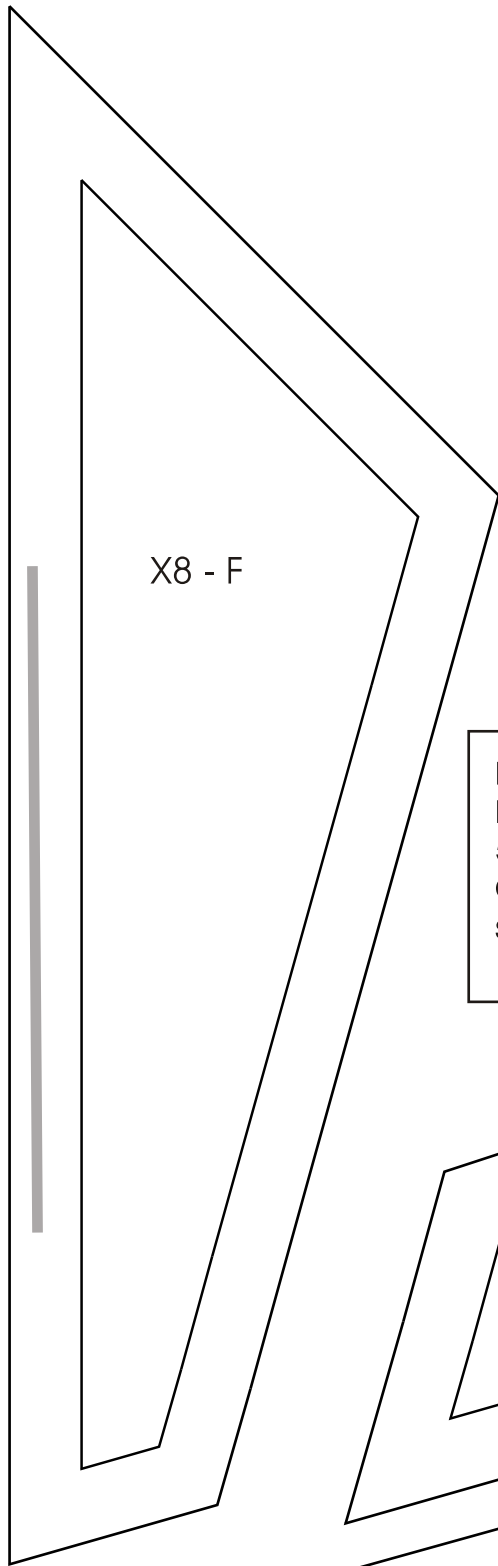




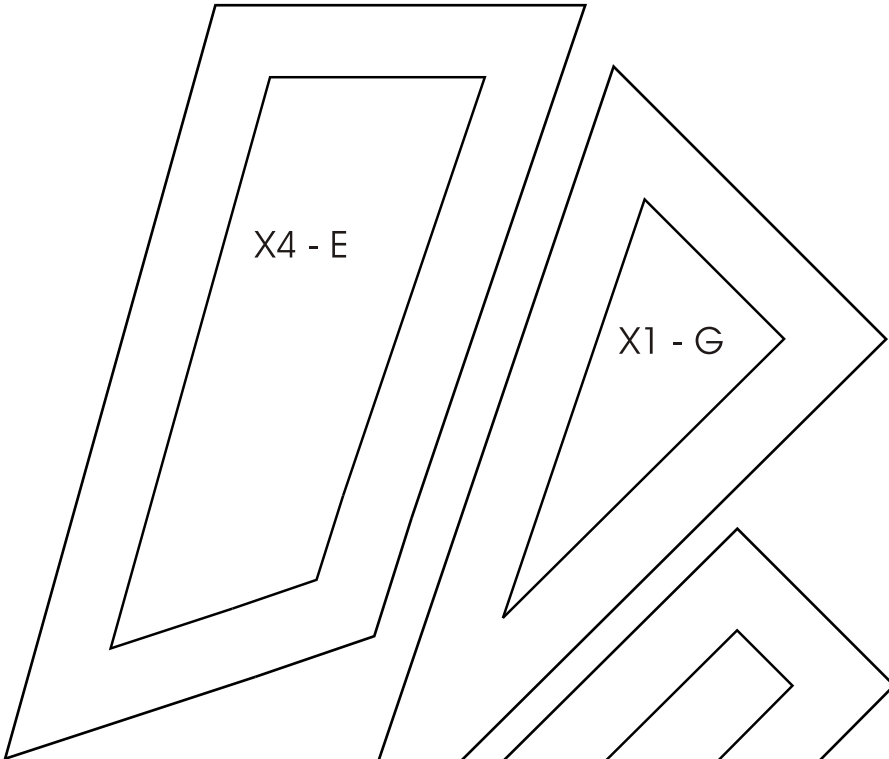
Flower Boxes  
Fabric Guides  
3 of 5  
Gray lines indicate  
straight-of-grain





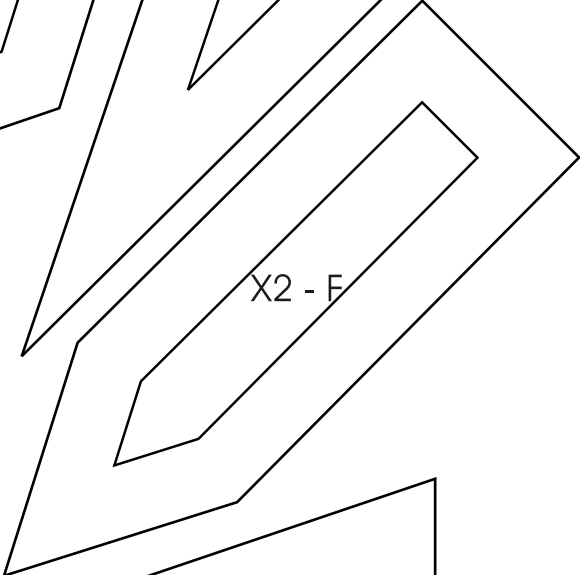


X8 - F



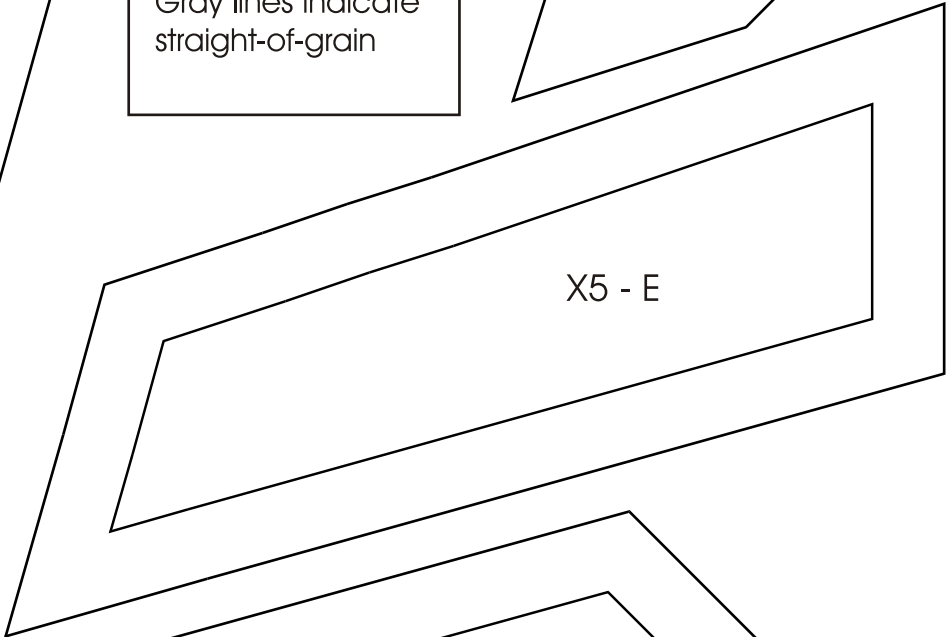
X4 - E

X1 - G

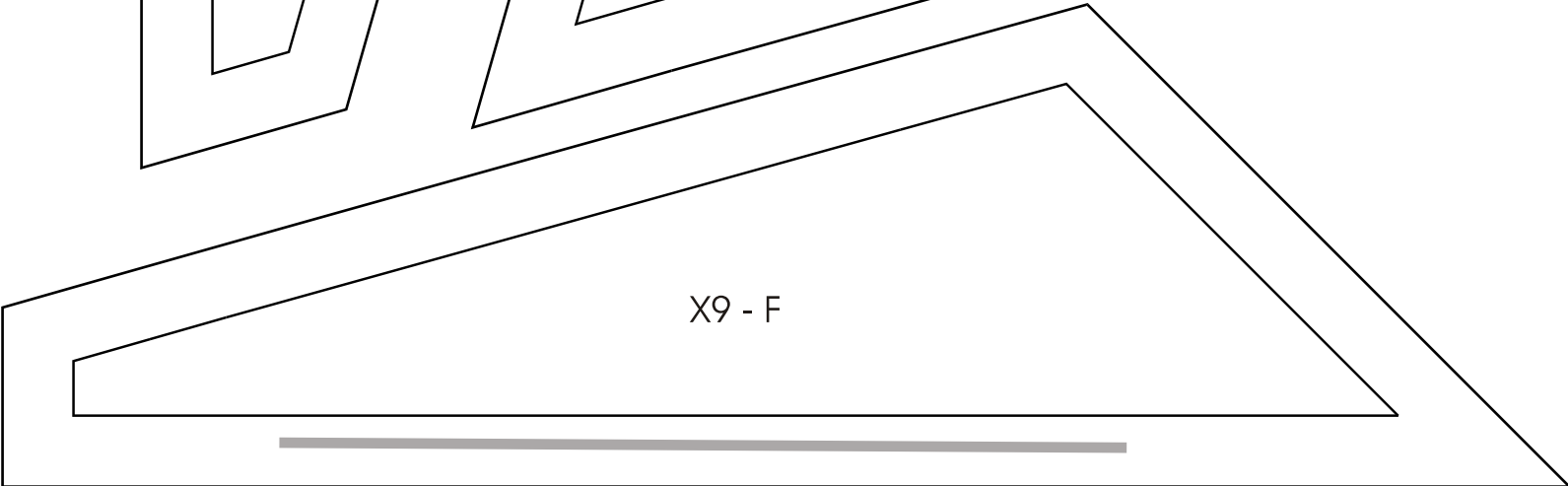


X2 - F

Flower Boxes  
Fabric Guides  
5 of 5  
Gray lines indicate  
straight-of-grain



X5 - E



X9 - F